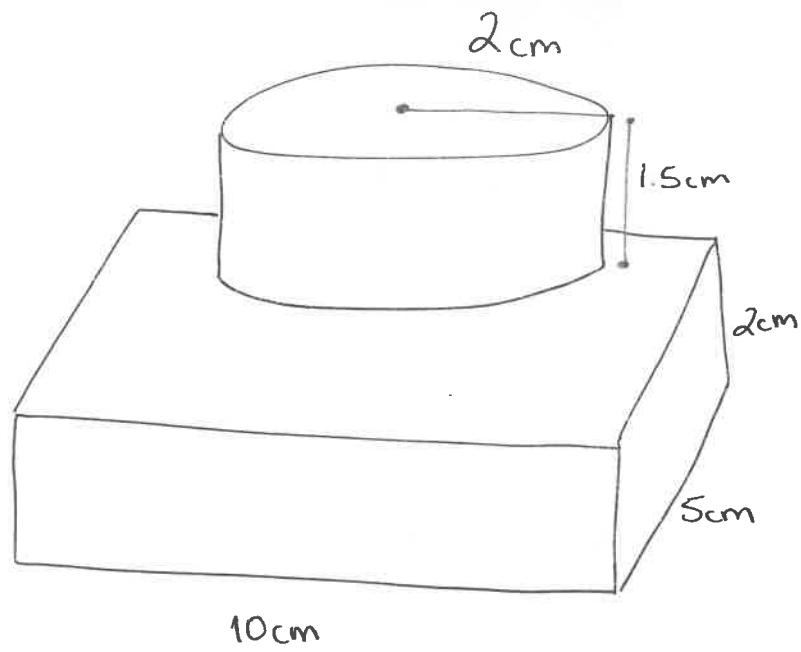
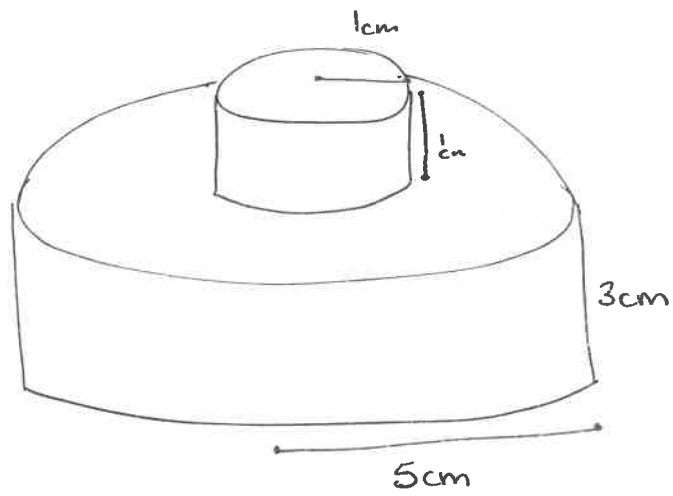


Answer: _____

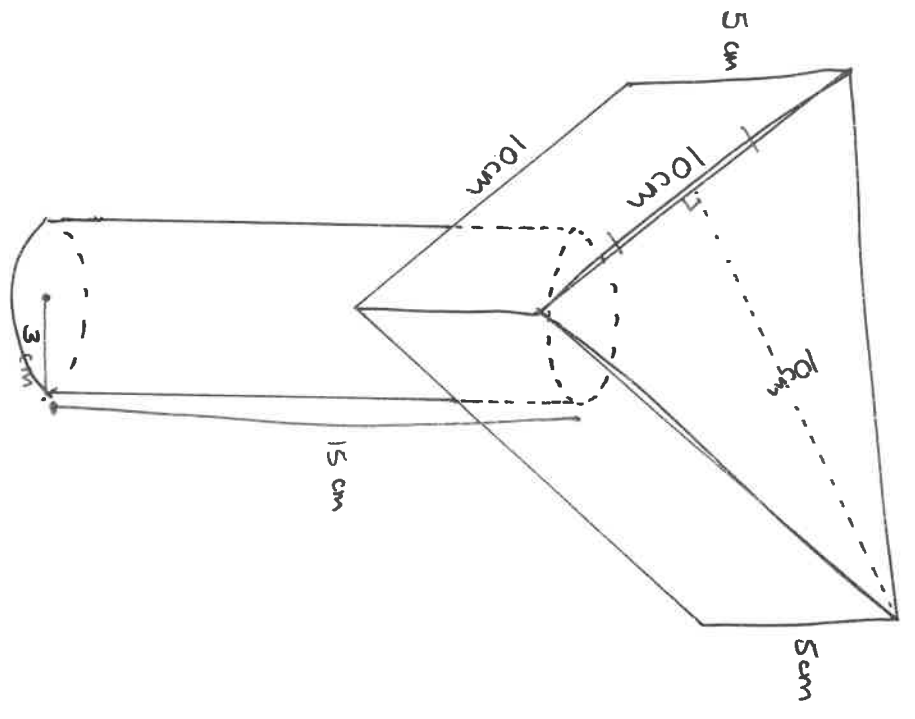


Answer:



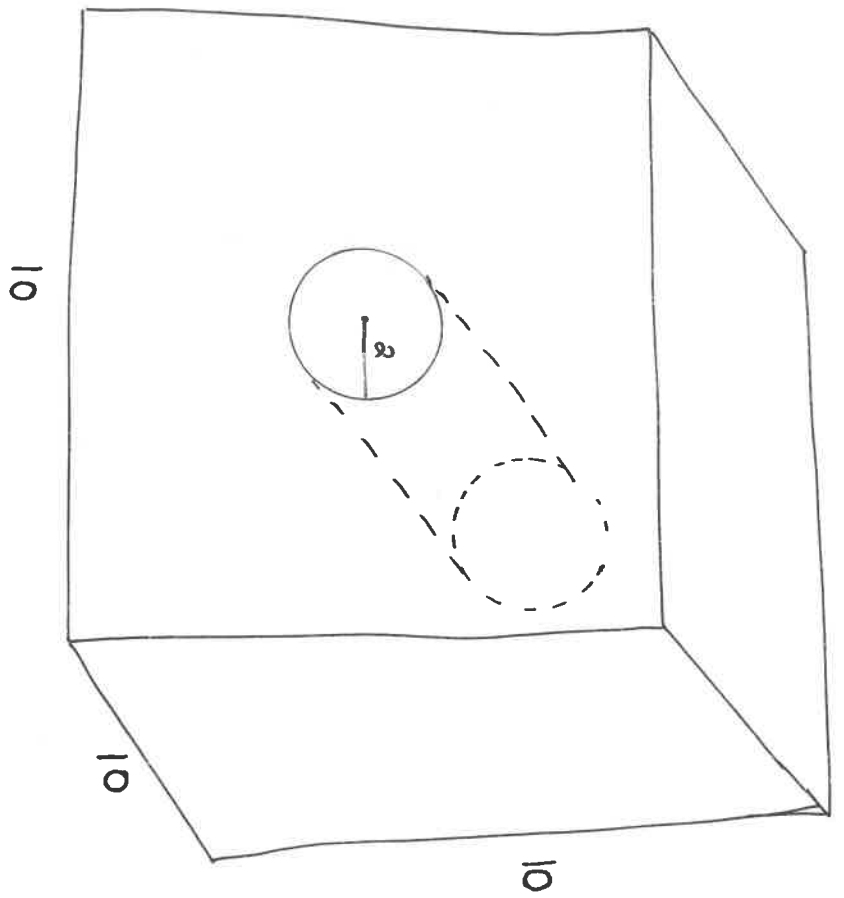
Answer:

Triangular prism sitting on top of a cylinder!



Answer:

A hole drilled through
a cube!



Answer: