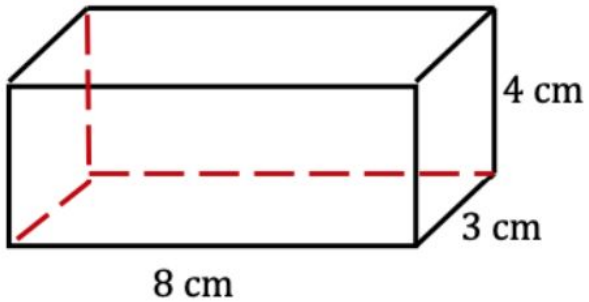


# Math 9

## 1.3-1.4 PRACTICE Test

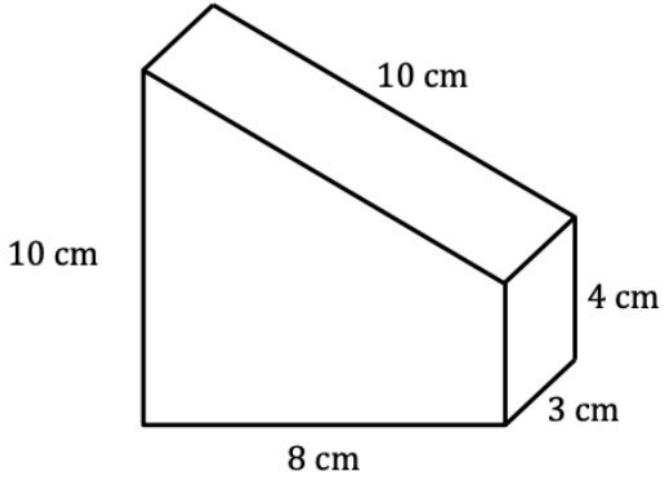
Make sure to show all of your work and write your final answer in the box provided. Write all answers to the nearest tenth. Good luck!

1) Find the surface area of this composite object.



Surface Area = \_\_\_\_\_

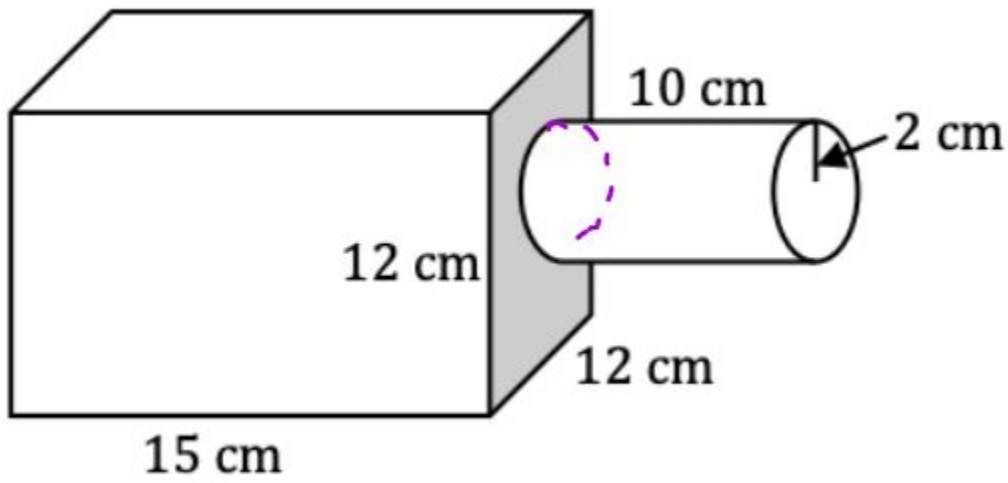
2) Determine the surface area of this composite shape.



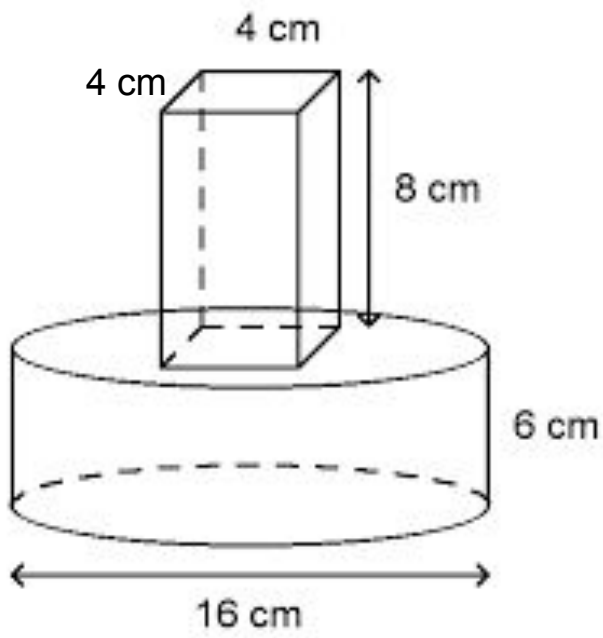
Surface Area = \_\_\_\_\_

3) Find the surface area of the shape.

Surface Area = \_\_\_\_\_

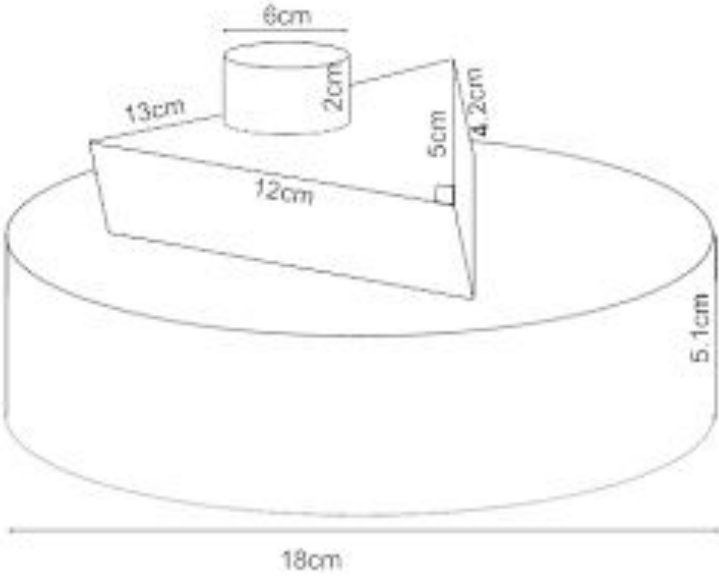


4) Determine the surface area of this composite shape.



Surface Area = \_\_\_\_\_

**BONUS QUESTION** Determine the surface area of this composite shape.



Surface Area = \_\_\_\_\_